

Handling MOS components

MOS components are extremely sensitive to static charges. Please observe therefore the following regulations:

1. Components sensitive to static charges are stored and shipped in protective package. On the packages you find the subsequent symbol.



2. Avoid any contact of connector pins with foam packages and -foils made of styropor or similar chargeable package material.

3. Don't touch the connector pins when your wrist is not grounded with a conducting wristlet.

4. Use a grounded conducting mat when working with sensitive components.

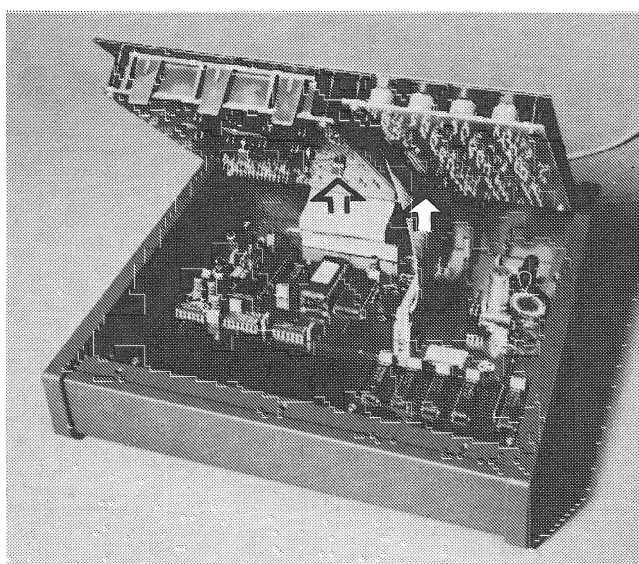
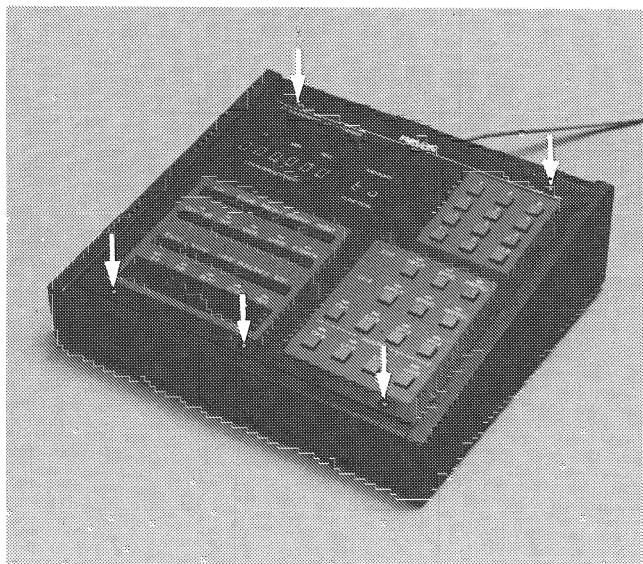
5. Never plug or unplug PCBs containing sensitive components when the machine is switched on.

Subject to change

Copyright by WILLI STUDER AG
Printed in Switzerland

Order No. 10.30.1490 (Ed. 0190)

REVOX is a registered trade mark of WILLI STUDER AG Regensdorf

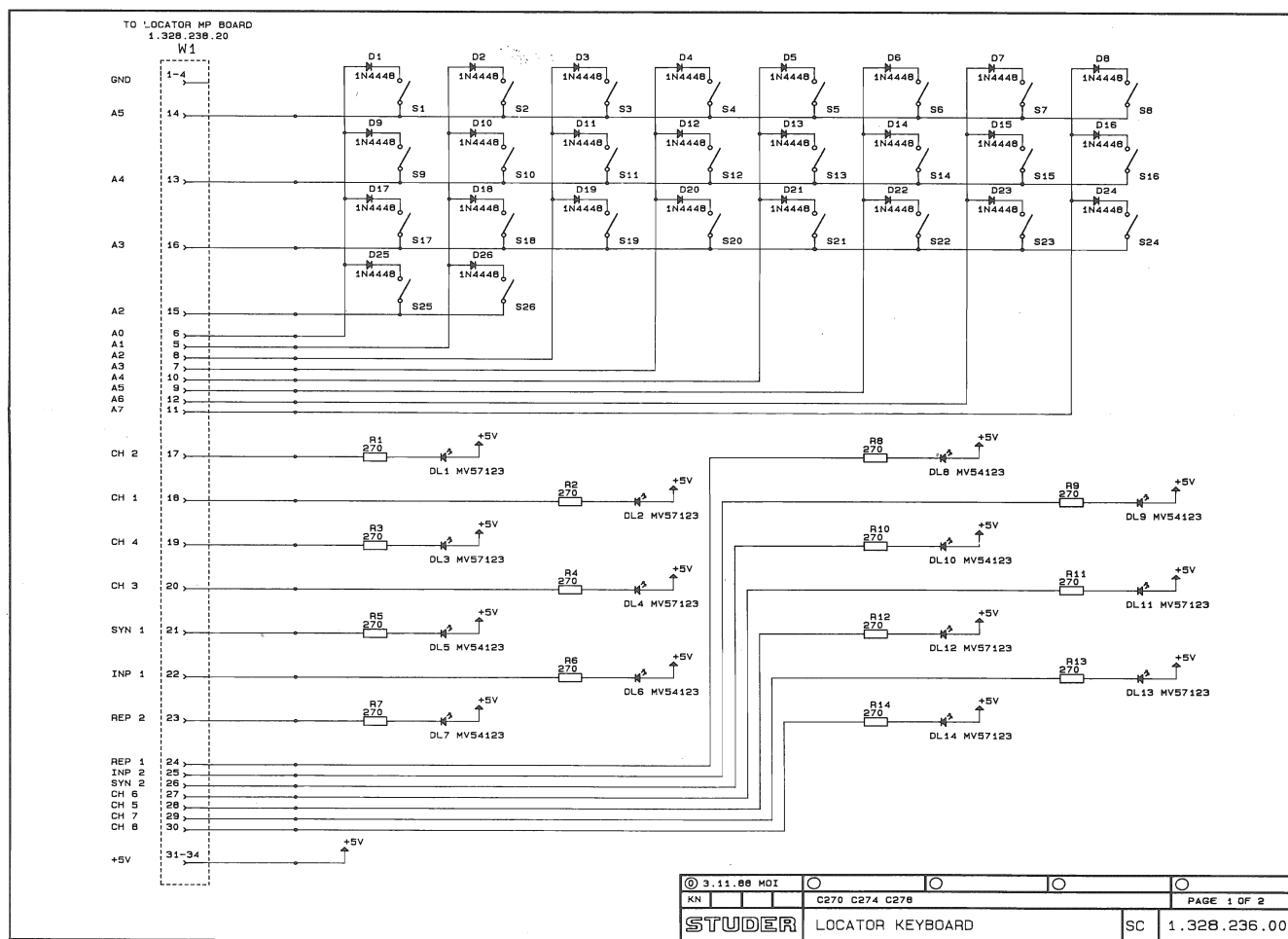


SPARE PARTS ERSATZTEILE PIÉCES DE RECHANGE

Qty...Order number...Part name...Specification.....

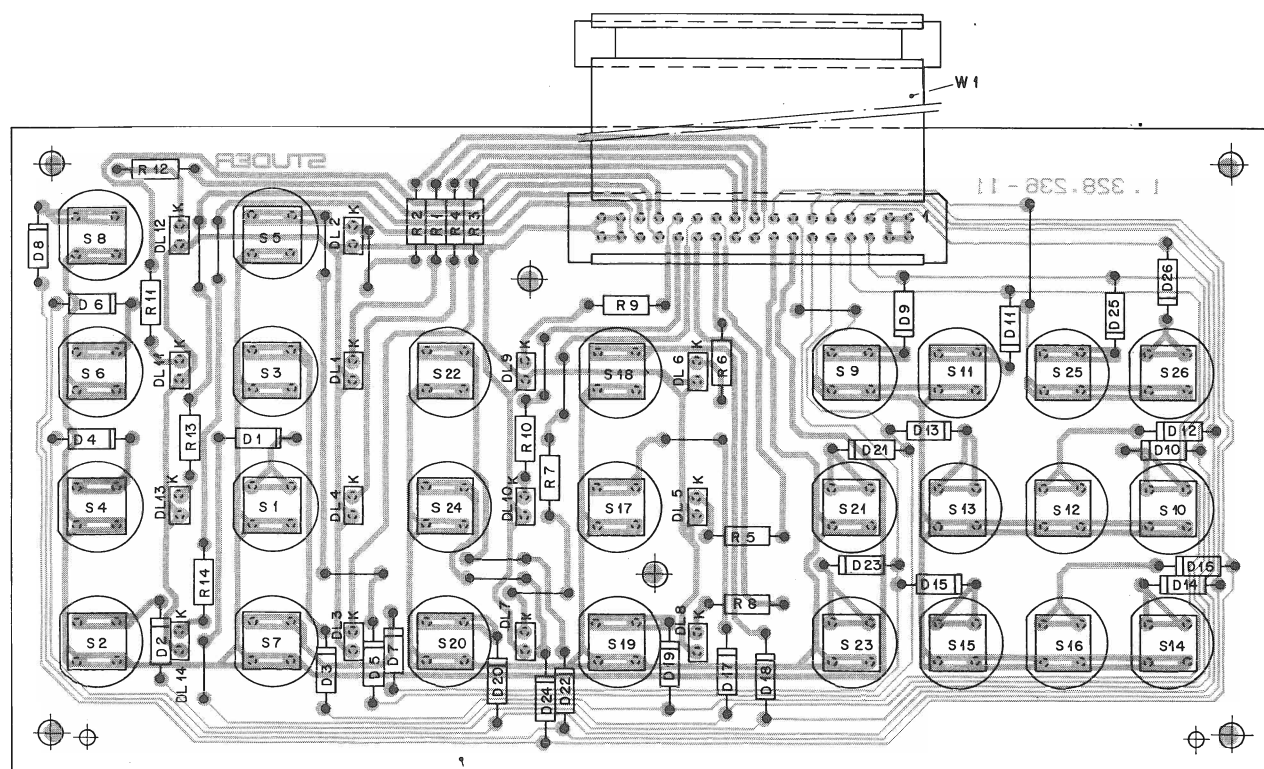
| | | |
|----|--------------|--|
| 17 | 21.26.0353 | < PHILLIPS HEAD SCREW M3 X5 ZYLINDERSCHRAUBE KS M3 X5 VIS CYLINDRIQUE CRUCIF.M3 X5 |
| 4 | 31.02.0211 | < EQUIPMENT FOOT D.16 GERÄTEFUSS D.16* PIED D.16 |
| 1 | 54.21.1015 | < PLUG DIN MAS-70 STECKER DIN MAS-70 FICHE DIN MAS-70 |
| 4 | 1.010.001.21 | < OVAL HEAD SCREW M4 X10 AL BLK LINSENSCHRAUBE M4 X10 AL BLK VIS TÊTE BOMBÉE M4 X10 AL BLK |
| 5 | 1.010.025.21 | < OVAL HEAD ALLEN SCREW M3 X6 LINSENSCHRAUBE IS M3 X6 VIS BOMBÉE IS M3 X6 |
| 1 | 1.128.088.00 | CABLE / AUTOLOCATOR ANSCHLUSSKABEL / AUTOLOCATOR CABLE RACCORDÉMENT/AUTOLOCATOR |
| 1 | 1.328.235.02 | FRONT PANEL / AUTOLOCATOR FRONTPLATTE / AUTOLOCATOR PLAQUE FRONTALE / AUTOLOCATOR |
| 2 | 1.328.235.04 | SIDE PANEL SEITENABDECKUNG GARNITURE LATÉRALE |

LOCATOR KEYBOARD 1.328.236.00



LOCATOR KEYBOARD 1.328.236.00
KEY AND LED CONFIGURATION

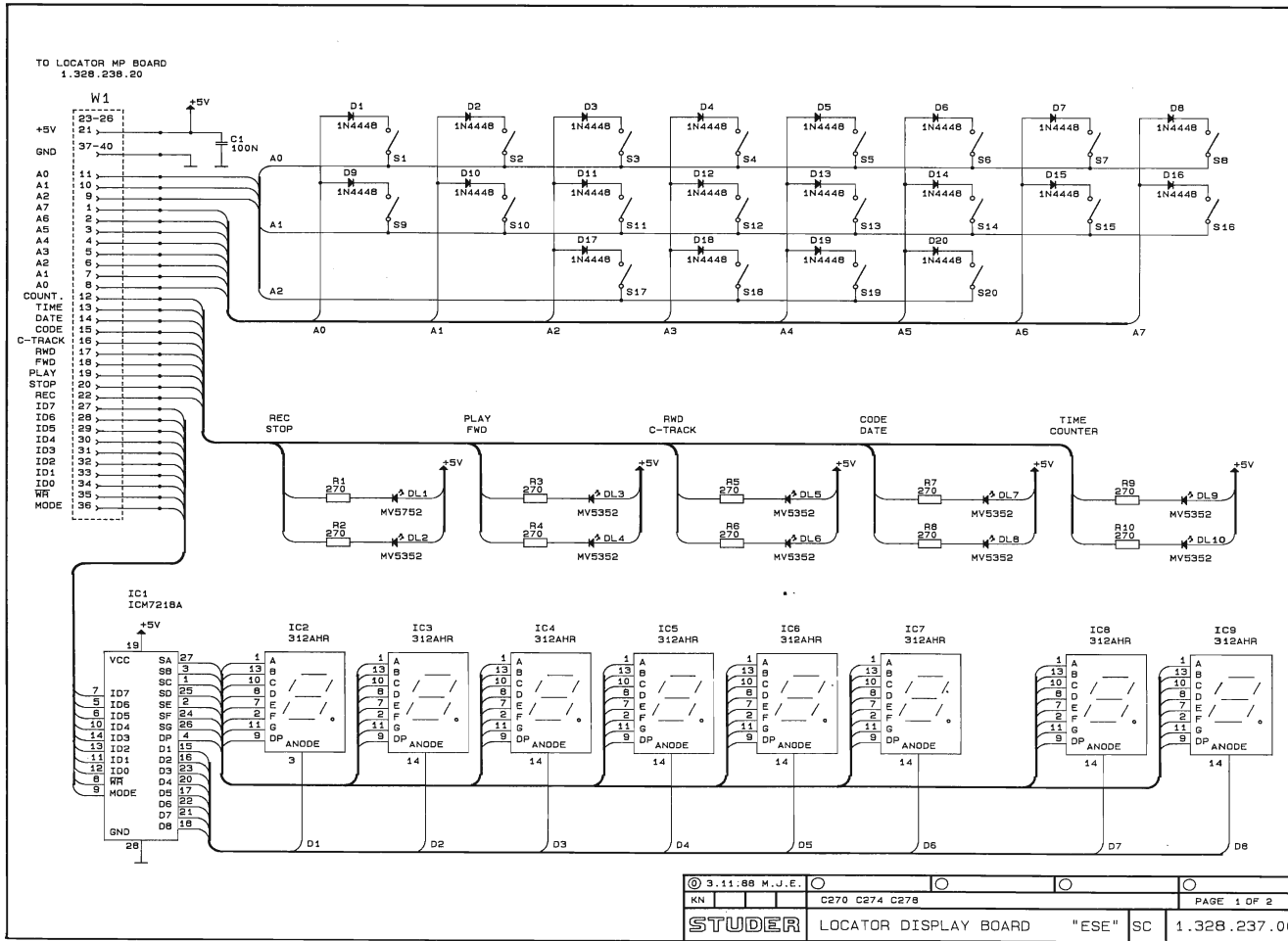
| KEY | FUNCTION | LED | FUNCTION |
|-----|----------|-------|----------|
| S1 | CH 3 | DL 4 | CH 3 |
| S2 | CH 8 | DL 14 | CH 8 |
| S3 | CH 2 | DL 1 | CH 2 |
| S4 | CH 7 | DL 13 | CH 7 |
| S5 | CH 1 | DL 2 | CH 1 |
| S6 | CH 6 | DL 11 | CH 6 |
| S7 | CH 4 | DL 3 | CH 4 |
| S8 | CH 5 | DL 12 | CH 5 |
| S9 | +/- | | |
| S10 | 8 | | |
| S11 | 1 | | |
| S12 | 5 | | |
| S13 | 2 | | |
| S14 | 9 | | |
| S15 | 3 | | |
| S16 | 6 | | |
| S17 | SYN 1 | DL 5 | SYN 1 |
| S18 | INP 1 | DL 6 | INP 1 |
| S19 | REP 1 | DL 8 | REP 1 |
| S20 | REP 2 | DL 7 | REP 2 |
| S21 | 0 | | |
| S22 | INP 2 | DL 9 | INP 2 |
| S23 | CLR | DL 10 | INP 2 |
| S24 | SYN 2 | | SYN 2 |
| S25 | 4 | | |
| S26 | 7 | | |



LOCATOR KEYBOARD 1.328.236.00

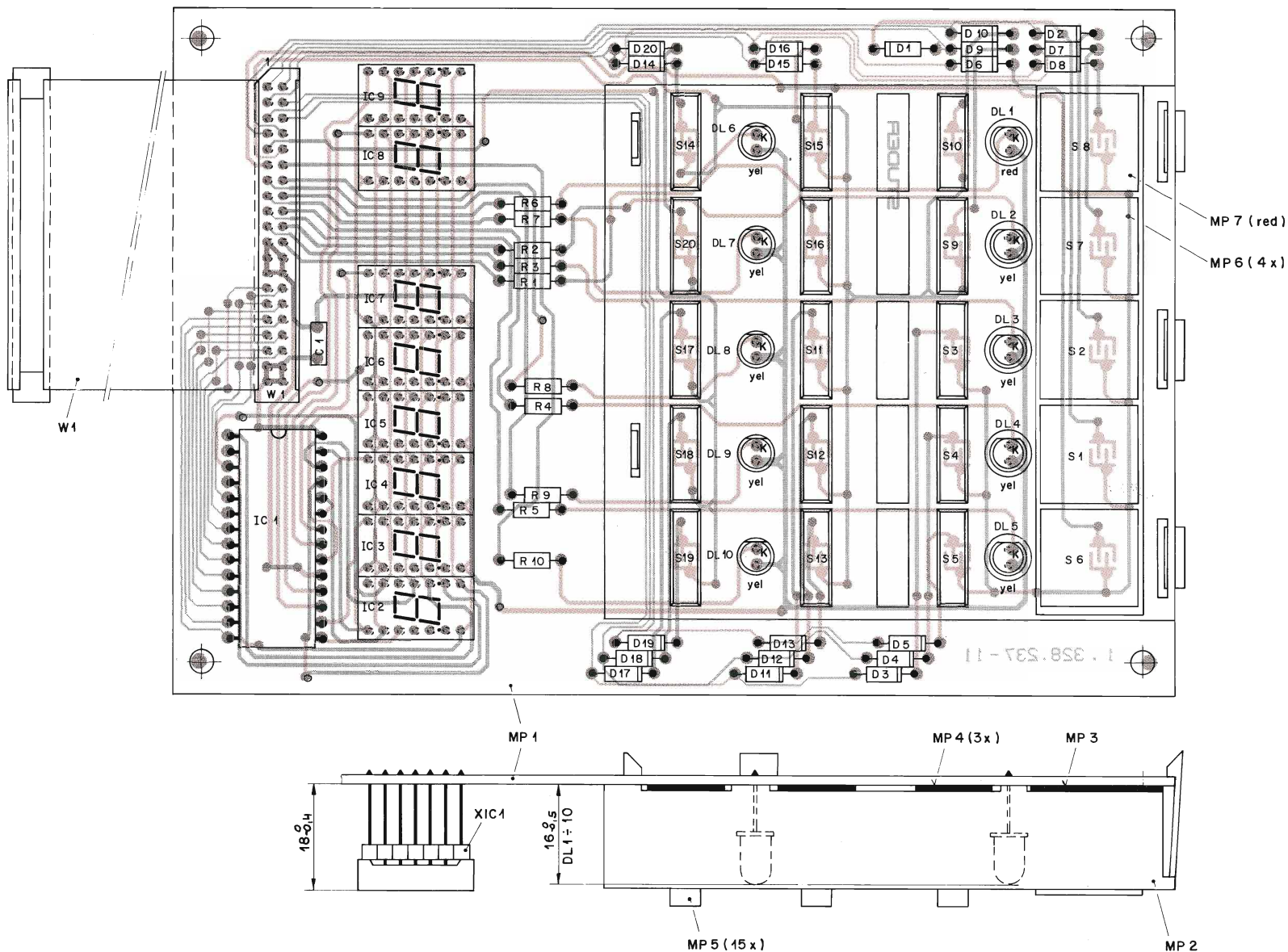
| Ad | ..Pos.. | ...Ref.No... | Description |
|---------|--------------|--------------|----------------------|
| D..0001 | 50.04.0125 | 1N 4448 | S1 |
| " | " | " | " |
| " | " | " | " |
| D..0026 | 50.04.0125 | 1N 4448 | S1 |
| DL.0001 | 50.04.2701 | MV 57123 | RED |
| DL.0002 | 50.04.2701 | MV 57123 | RED |
| DL.0003 | 50.04.2701 | MV 57123 | RED |
| DL.0004 | 50.04.2701 | MV 57123 | RED |
| DL.0005 | 50.04.2703 | MV 54123 | GRN |
| DL.0006 | 50.04.2703 | MV 54123 | GRN |
| DL.0007 | 50.04.2703 | MV 54123 | GRN |
| DL.0008 | 50.04.2703 | MV 54123 | GRN |
| DL.0009 | 50.04.2703 | MV 54123 | GRN |
| DL.0010 | 50.04.2703 | MV 54123 | GRN |
| DL.0011 | 50.04.2701 | MV 57123 | RED |
| DL.0012 | 50.04.2701 | MV 57123 | RED |
| DL.0013 | 50.04.2701 | MV 57123 | RED |
| DL.0014 | 50.04.2701 | MV 57123 | RED |
| MP.0001 | 1.328.236.11 | | LOCATOR KEYBOARD PCB |
| MP.0002 | 1.328.236.01 | | LABEL |
| R..0001 | 57.11.3271 | 270 | 1%, 0207, MF |
| " | " | " | " |
| " | " | " | " |
| R..0014 | 57.11.3271 | 270 | 1%, 0207, MF |
| S..0001 | 55.15.0130 | | KEY IMPULSE |
| " | " | " | " |
| " | " | " | " |
| S..0026 | 55.15.0130 | | KEY IMPULSE |
| W..0001 | 1.328.239.00 | 34 POL. | FLATCABLE |

LOCATOR DISPLAY BOARD 1.328.237.00



LOCATOR DISPLAY BOARD 1.328.237.00
KEY AND LED CONFIGURATION

| KEY | FUNCTION | LED | FUNCTION |
|-----|----------|-------|----------|
| S1 | FWD | DL 4 | FWD |
| S2 | PLAY | DL 3 | PLAY |
| S3 | LOOP | | |
| S4 | A-LOC | | |
| S5 | O-LOC | | |
| S6 | RWD | DL 5 | RWD |
| S7 | STOP | DL 2 | STOP |
| S8 | REC | DL 1 | REC |
| S9 | ROLLBACK | | |
| S10 | EDIT | | |
| S11 | DATE | DL 8 | DATE |
| S12 | TIME | DL 9 | TIME |
| S13 | COUNTER | DL 10 | COUNTER |
| S14 | RESET | | |
| S15 | C-TRACK | DL 6 | C-TRACK |
| S16 | CODE | DL 7 | CODE |
| S17 | RECALL | | |
| S18 | STORE | | |
| S19 | LOC | | |
| S20 | SEARCH | | |



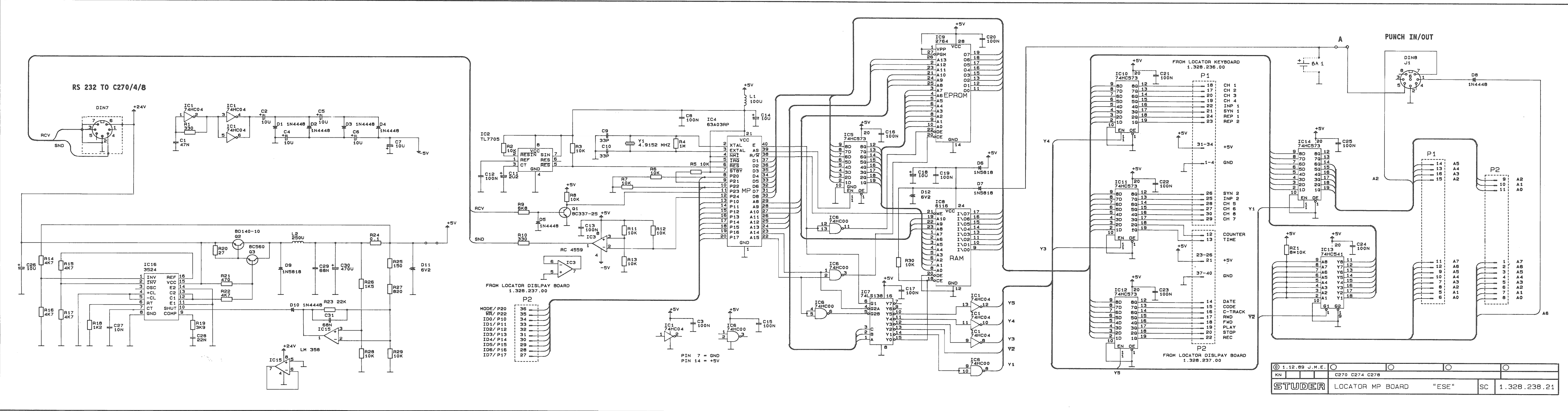
LOCATOR DISPLAY BOARD A 1.328.237.00

Ad ..Pos.. ..Ref.No... Description

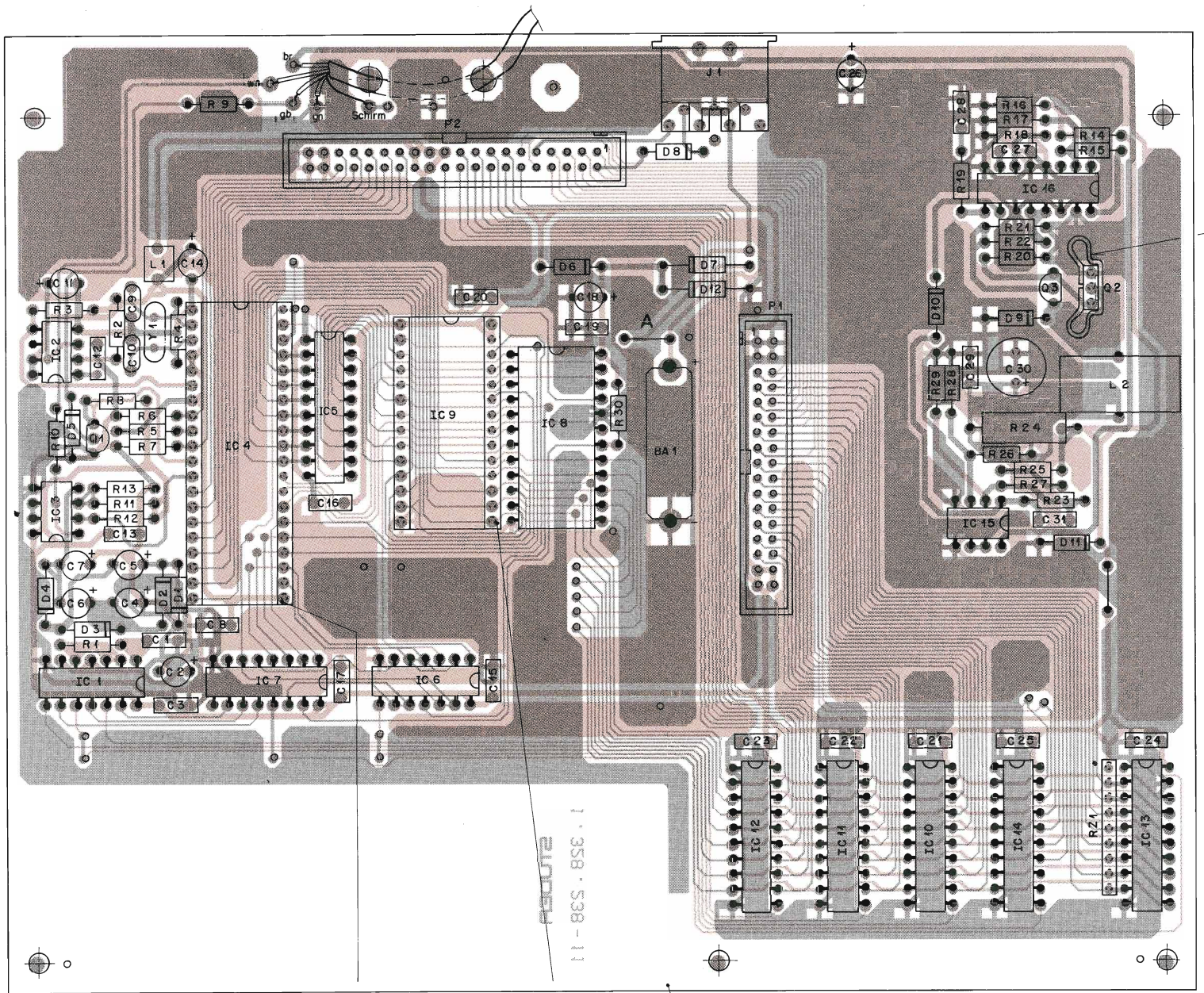
| | | | |
|---------|------------|------|-------------------------------|
| C..0001 | 59.06.0104 | .1 U | 10%, 63V, PETP |
| D..0001 | 50.04.0125 | | 1N 4448 SI |
| D..0020 | 50.04.0125 | | 1N 4448 SI |
| DL.0001 | 50.04.2115 | | MV 5752 RED |
| DL.0002 | 50.04.2500 | | MV 5352 YEL |
| DL.0010 | 50.04.2500 | | MV 5352 YEL |
| IC.0001 | 50.07.0035 | | ICM 7218 AIJI ,A |
| IC.0002 | 73.01.0131 | | 7-SEGM.DISPLAY LED RED 7.6 MM |
| IC.0009 | 73.01.0131 | | 7-SEGM.DISPLAY LED RED 7.6 MM |

| | | | |
|---------|--------------|---------|---------------------------|
| MP.0001 | 1.328.237.11 | | LOCATOR DISPLAY BOARD PCB |
| MP.0002 | 1.328.235.05 | | OPERATIONCASE |
| MP.0003 | 1.777.100.26 | 1 pcs | SWITCHMAT 1 |
| MP.0004 | 1.777.100.27 | 3 pcs | SWITCHMAT 2 |
| MP.0005 | 1.777.100.35 | 15 pcs | KEY 3 |
| MP.0006 | 1.777.100.34 | 4 pcs | KEY 2 |
| MP.0007 | 1.777.100.32 | 1 pcs | KEY 2 RED |
| MP.0008 | 1.328.237.01 | | LABEL |
| MP.0009 | 43.01.0108 | | ESE-LABEL |
| R..0001 | 57.11.3271 | 270 | 1%, 0207, MF |
| R..0010 | 57.11.3271 | 270 | 1%, 0207, MF |
| W..0001 | 1.023.114.02 | 40 POL. | FLATCABLE |
| XIC0001 | 53.03.0228 | 112 pcs | SINGLE LINE |

if battery BA 1 (optional) is used, remove solder bridge A



| | | | |
|------------------|------------------|-------|-----------------|
| © 1.12.89 J.M.E. | | | |
| KN | C270 C274 C278 | | |
| STUDER | LOCATOR MP BOARD | "ESE" | SC 1.328.238.21 |



XIC 1

XIC 2

MP1

MP 2

1. 358. 538 - 11

200001

LOCATOR MP BOARD ,A 1.328.238.20

| Ad | ..Pos.. | ...Ref.No... | Description | | | | |
|----|---------|--------------|-------------|--------------------------------|---------|--------------|-----------------------------|
| | | BA.0001 | 89.01.0275 | OPTION 3.6V , SL-350 T LITHIUM | IC.0008 | 50.14.0107 | HM 6116 LP-4,MSM 5128-15,A |
| | | C..0001 | 59.06.0473 | .047 U 10%, 63V , PETP | IC.0009 | 1.328.234.20 | EPROM ,A |
| | | C..0002 | 59.22.8100 | 10 U -20%, 63V , EL | IC.0010 | 50.17.1573 | 74 HC 573 ,A |
| 01 | | C..0002 | 59.22.6100 | 10 U -20%, 35V , EL | IC.0011 | 50.17.1573 | 74 HC 573 ,A |
| | | C..0003 | 59.06.0104 | .1 U 10%, 63V , PETP | IC.0012 | 50.17.1573 | 74 HC 573 ,A |
| | | C..0004 | 59.22.8100 | 10 U -20%, 63V , EL | IC.0013 | 50.17.1541 | 74 HC 541 ,A |
| 01 | | C..0004 | 59.22.6100 | 10 U -20%, 35V , EL | IC.0014 | 50.17.1573 | 74 HC 573 ,A |
| | | C..0005 | 59.22.8100 | 10 U -20%, 63V , EL | IC.0015 | 50.05.0286 | M 358 N ,OPAMP |
| 01 | | C..0005 | 59.22.6100 | 10 U -20%, 35V , EL | IC.0016 | 50.05.0279 | IP 3524 BN |
| | | C..0006 | 59.22.8100 | 10 U -20%, 63V , EL | J..0001 | 54.20.2003 | 8 POL. PRINT DIN |
| 01 | | C..0006 | 59.22.6100 | 10 U -20%, 35V , EL | L..0001 | 62.02.3101 | 100 U 10%, RAD., RM 5 |
| | | C..0007 | 59.22.8100 | 10 U -20%, 63V , EL | L..0002 | 62.03.0025 | 250 U 2 A, FILTER |
| 01 | | C..0007 | 59.22.6100 | 10 U -20%, 35V , EL | MP.0001 | 1.328.238.11 | LOCATOR MP BOARD PCB |
| | | C..0008 | 59.06.0104 | .1 U 10%, 63V , PETP | MP.0002 | 50.20.3003 | HEAT-SINK |
| | | C..0009 | 59.34.2330 | 33 P 5%, N150 , CER | MP.0003 | 1.328.238.01 | LABEL |
| | | C..0010 | 59.34.2330 | 33 P 5%, N150 , CER | MP.0004 | 43.01.0108 | ESE-LABEL |
| | | C..0011 | 59.22.8229 | 2.2 U -20%, 63V , EL | MP.0005 | 1.101.001.20 | LABEL |
| | | C..0012 | 59.06.0104 | .1 U 10%, 63V , PETP | P..0001 | 54.14.2007 | 34 POL. PLUG , SN, STRAIGHT |
| | | C..0013 | 59.06.0104 | .1 U 10%, 63V , PETP | P..0002 | 54.14.2004 | 40 POL. PLUG , SN, STRAIGHT |
| 01 | | C..0014 | 59.22.8100 | 10 U -20%, 63V , EL | Q..0001 | 50.03.0340 | BC 337-25 |
| | | C..0014 | 59.22.6100 | 10 U -20%, 35V , EL | Q..0002 | 50.03.0452 | BD 140-10 |
| | | C..0015 | 59.06.0104 | .1 U 10%, 63V , PETP | Q..0003 | 50.03.0496 | BC 560 |
| | | C..0016 | 59.06.0104 | .1 U 10%, 63V , PETP | R..0001 | 57.11.3331 | 330 1%, 0207 , MF |
| | | C..0017 | 59.06.0104 | .1 U 10%, 63V , PETP | R..0002 | 57.11.3103 | 10 K 1%, 0207 , MF |
| 01 | | C..0018 | 59.22.8100 | 10 U -20%, 63V , EL | R..0003 | 57.11.3103 | 10 K 1%, 0207 , MF |
| | | C..0018 | 59.22.6100 | 10 U -20%, 35V , EL | R..0004 | 57.11.3105 | 1 M 1%, 0207 , MF |
| | | C..0019 | 59.06.0104 | .1 U 10%, 63V , PETP | R..0005 | 57.11.3103 | 10 K 1%, 0207 , MF |
| | | C..0020 | 59.06.0104 | .1 U 10%, 63V , PETP | R..0006 | 57.11.3103 | 10 K 1%, 0207 , MF |
| | | C..0021 | 59.06.0104 | .1 U 10%, 63V , PETP | R..0007 | 57.11.3103 | 10 K 1%, 0207 , MF |
| | | C..0022 | 59.06.0104 | .1 U 10%, 63V , PETP | R..0008 | 57.11.3103 | 10 K 1%, 0207 , MF |
| | | C..0023 | 59.06.0104 | .1 U 10%, 63V , PETP | R..0009 | 57.11.3682 | 6.8 K 1%, 0207 , MF |
| | | C..0024 | 59.06.0104 | .1 U 10%, 63V , PETP | R..0010 | 57.11.3331 | 330 1%, 0207 , MF |
| | | C..0025 | 59.06.0104 | .1 U 10%, 63V , PETP | R..0011 | 57.11.3103 | 10 K 1%, 0207 , MF |
| | | C..0026 | 59.22.8100 | 10 U -20%, 63V , EL | R..0012 | 57.11.3103 | 10 K 1%, 0207 , MF |
| 01 | | C..0026 | 59.22.6100 | 10 U -20%, 35V , EL | R..0013 | 57.11.3103 | 10 K 1%, 0207 , MF |
| | | C..0027 | 59.06.0103 | .01 U 10%, 63V , PETP | R..0014 | 57.11.3472 | 4.7 K 1%, 0207 , MF |
| | | C..0028 | 59.06.0223 | .022 U 10%, 63V , PETP | R..0015 | 57.11.3472 | 4.7 K 1%, 0207 , MF |
| | | C..0029 | 59.06.0683 | .068 U 10%, 63V , PETP | R..0016 | 57.11.3472 | 4.7 K 1%, 0207 , MF |
| | | C..0030 | 59.22.6471 | 470 U -20%, 40V , EL | R..0017 | 57.11.3472 | 4.7 K 1%, 0207 , MF |
| | | C..0031 | 59.06.0683 | .068 U 10%, 63V , PETP | R..0018 | 57.11.3122 | 1.2 K 1%, 0207 , MF |
| | | D..0001 | 50.04.0125 | 1N 4448 SI | R..0019 | 57.11.3392 | 3.9 K 1%, 0207 , MF |
| | | D..0002 | 50.04.0125 | 1N 4448 SI | R..0020 | 57.11.3270 | 27 1%, 0207 , MF |
| | | D..0003 | 50.04.0125 | 1N 4448 SI | R..0021 | 57.11.3471 | 470 1%, 0207 , MF |
| | | D..0004 | 50.04.0125 | 1N 4448 SI | R..0022 | 57.11.3472 | 4.7 K 1%, 0207 , MF |
| | | D..0005 | 50.04.0125 | 1N 4448 SI | R..0023 | 57.11.3223 | 22 K 1%, 0207 , MF |
| | | D..0006 | 50.04.0512 | 1N 5818 | R..0024 | 57.56.2100 | 0.100 5%, 3 W |
| | | D..0007 | 50.04.0512 | 1N 5818 | R..0025 | 57.11.3151 | 150 1%, 0207 , MF |
| | | D..0008 | 50.04.0125 | 1N 4448 SI | R..0026 | 57.11.3152 | 1.5 K 1%, 0207 , MF |
| | | D..0009 | 50.04.0512 | 1N 5818 | R..0027 | 57.11.3821 | 820 1%, 0207 , MF |
| | | D..0010 | 50.04.0125 | 1N 4448 SI | R..0028 | 57.11.3103 | 10 K 1%, 0207 , MF |
| | | D..0011 | 50.04.1118 | 6.2 V 5%, 0.5M, Z | R..0029 | 57.11.3103 | 10 K 1%, 0207 , MF |
| | | D..0012 | 50.04.1118 | 6.2 V 5%, 0.5M, Z | R..0030 | 57.11.3103 | 10 K 1%, 0207 , MF |
| | | IC.0001 | 50.17.1004 | 74 HC 04 ,A | RZ.0001 | 57.88.4103 | 8*10K |
| | | IC.0002 | 50.11.0122 | TL 7705 ACP | XIC0001 | 53.03.0172 | 40 POL. IC-SOCKET |
| | | IC.0003 | 50.09.0107 | RC 4559 NB, UPC 4559 | XIC0002 | 53.03.0173 | 28 POL. IC-SOCKET |
| | | IC.0004 | 50.16.0119 | HD 63 A 03 RP ,A | Y..0001 | 89.01.0560 | 4.9152 MHZ |
| | | IC.0005 | 50.17.1573 | 74 HC 573 ,A | | | |
| | | IC.0006 | 50.17.1000 | 74 HC 00 ,A | | | |
| | | IC.0007 | 50.06.0138 | 74 LS 138 ,A | | | |
| | | | | | 01 | 15.03.89 | Value adjust |